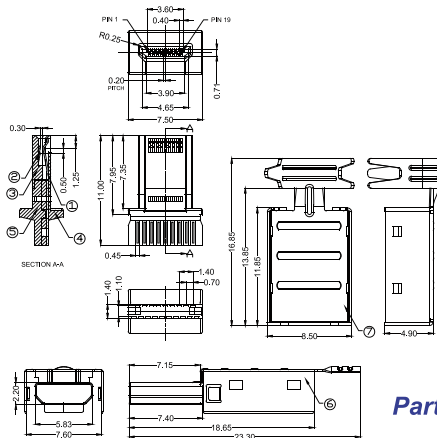


## Micro HDMI Male 19 Pin Solder Type



⑦	BACK SHELL	1	SPCC	
⑥	FRONT SHELL	1	Brass H/2 or SPCC	
⑤	BOTTOM COVER	1	LCP	
④	TOP COVER	1	LCP	
③	HOUSING	1	LCP	UL 94V-0
②	10P CONTACT	1	COPPER ALLOY	GLOD, OR NICKEL PLATING
①	9P CONTACT	1	COPPER ALLOY	CU ALL OVER, PLATED OVER NICKEL
ITEM	PART NAME	Q'TY/EA	MATERIALS	NOTE

**Part No.:MIHDM-M19 SF B N 1-U**  
*Selective 10u" | Nickel Shell*